

## BS Kitemarked 6 Pin Invincible Door Cylinder



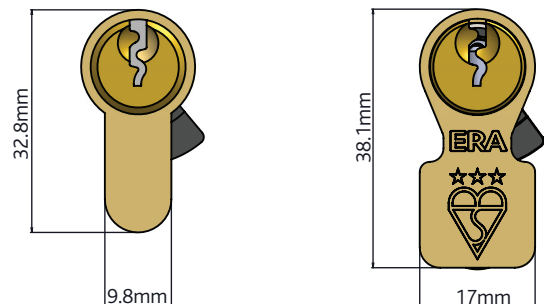
TS007:2014

### Features

- This patented protected design completely removes the ability to break into a cylinder
- With a newly designed robust 'squared' off platform that significantly strengthens the mechanism against attack; customers will be able to use this as a true unique selling point
- With 85% more metal than a standard euro cylinder this unique British Standard Kitemark cylinder is the powerhouse of the lock world
- The full range of lock case, cylinder and handle creates the ultimate in door security solution
- Independently tested to meet the latest security standards, the Invincible is fully Kitemarked and certified to TS007:2014 and BS EN 1303:2005
- Suitable for PAS 24 2012 applications as a constituent part of a compliant door set
- Manufactured from solid brass
- Engineered for ease of application and long term trouble free performance
- High security hardened 6 pins for anti-pick, anti-drill, anti-snap and anti-bump resistance; offering excellent resistance to forced entry
- Single, Double and Thumbturn cylinder options
- Brass and satin finishes available
- In excess of 30000 key differs
- Finally, Britain's homes can get the security they deserve – **Invincible security!**



Balmoral Handle



Five times bigger across the weakest point



TS007: 2014

## BS Kitemarked 6 Pin Invincible Door Cylinder

### Ordering Details

#### Single

Dimensions			No. of Pins	Finish	Part No.
A	B	C			
30	10	40	6	Brass	BS-INV-3010-31
30	10	40	6	Satin	BS-INV-3010-51

#### Double

Dimensions			No. of Pins	Finish	Part No.
A	B	C			
35	35	70	6	Brass	BS-INV-3535-31
35	35	70	6	Satin	BS-INV-3535-51
35	45	80	6	Brass	BS-INV-3545-31
35	45	80	6	Satin	BS-INV-3545-51
40	40	80	6	Brass	BS-INV-4040-31
40	40	80	6	Satin	BS-INV-4040-51
40	45	85	6	Brass	BS-INV-4045-31
40	45	85	6	Satin	BS-INV-4045-51
40	50	90	6	Brass	BS-INV-4050-31
40	50	90	6	Satin	BS-INV-4050-51
40	55	95	6	Brass	BS-INV-4055-31
40	55	95	6	Satin	BS-INV-4055-51
40	60	100	6	Brass	BS-INV-4060-31
40	60	100	6	Satin	BS-INV-4060-51
45	45	90	6	Brass	BS-INV-4545-31
45	45	90	6	Satin	BS-INV-4545-51
45	50	95	6	Brass	BS-INV-4550-31
45	50	95	6	Satin	BS-INV-4550-51
45	55	100	6	Brass	BS-INV-4555-31
45	55	100	6	Satin	BS-INV-4555-51
50	50	100	6	Brass	BS-INV-5050-31
50	50	100	6	Satin	BS-INV-5050-51

#### Double Thumbturn

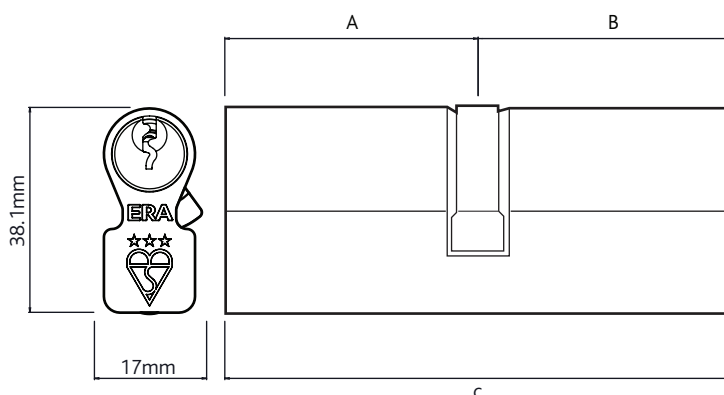
Dimensions			No. of Pins	Finish	Part No.
A	B	C			
35	35	70	6	Brass	BS-INV-T3535-31
35	35	70	6	Satin	BS-INV-T3535-51
35	40	75	6	Brass	BS-INV-T3540-31
35	40	75	6	Satin	BS-INV-T3540-51
35	45	80	6	Brass	BS-INV-T3545-31
35	45	80	6	Satin	BS-INV-T3545-51
40	40	80	6	Brass	BS-INV-T4040-31
40	40	80	6	Satin	BS-INV-T4040-51
40	50	90	6	Brass	BS-INV-T4050-31
40	50	90	6	Satin	BS-INV-T4050-51
45	45	90	6	Brass	BS-INV-T4545-31
45	45	90	6	Satin	BS-INV-T4545-51
45	55	100	6	Brass	BS-INV-T4555-31
45	55	100	6	Satin	BS-INV-T4555-51

Please contact the sales office for details of lock and handle part codes.

### Packaging

#### Cylinders

Individually boxed, including screws and 3 keys. 10 in an outer box.



All dimensions are in mm and are nominal.  
ERA reserves the right to change specification without notice  
It is the responsibility of the door manufacturer to ensure that the finished product meets any required safety and performance specification.

### Maintenance

All moving parts should be lightly lubricated using a light non-acidic mineral oil. (e.g. "3 in 1") twice per year and the surface cleaned with a soft damp cloth. The product may need to be adjusted and fixings tightened to ensure a satisfactory operation.

### Classification

The Invincible has been approved to BS EN 1303:2005 and carries the following classification:

Category	1	2	3	4	5	6	7	8
Classification	1	6	0	0	0	C	5	2

### Technical Information

#### Corrosion resistance

Meets the requirements of BS EN 1670:2007 Grade 3

#### Operation

Endurance tested in excess of 100,000 cycles

#### Performance (Excluding Thumbturn)

Independently tested to meet the requirements of BS EN 1303:2005 and accredited to TS0073\*. BSI Kitemark License No. 553031. Designed to meet the requirements of PAS 24 in a compliant door set.

### Material Specification

Cylinder:	Brass
Cam:	Sintered Steel
Pins:	6 Hardened pins, anti snap anti pick, anti-drill, anti bump
Key:	Nickel plated brass
Screw:	M5 x 50mm and M5 x 60mm nickel plates or polished brass screw
Finish:	Brass (natural), Satin plated brass