

Vertical Sliding Sash Windows

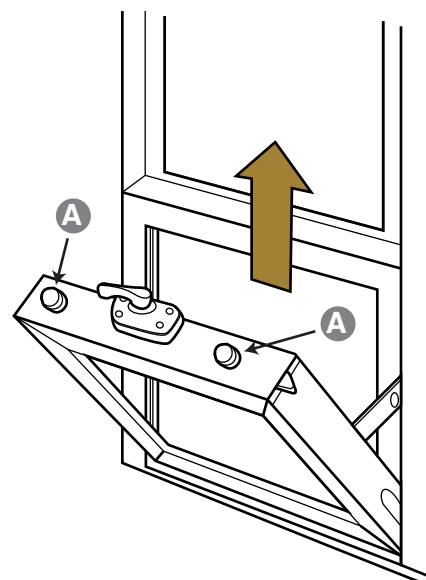


Operation Guidelines

- 1 Unlock the Cam Lock using the key provided.
- 2 Turn the lever 180° to release the lock.

If you have a travel restrictor fitted **3** please depress the bolts and lock with the key provided.

This will then allow both sashes to travel freely up and down using the handles or sash lifts fitted.

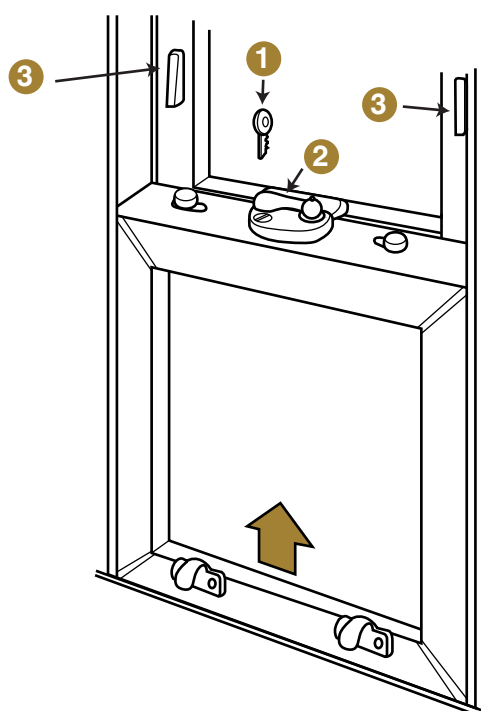


To allow easy cleaning, your window has been fitted with a tilt action.

To open - please repeat the steps 1 to 3, then raise the sash approximately 25mm (1 inch), there are some knobs (A) on the top of the bottom sash which you can move inwards to release the catches.

This will allow the window to tilt forwards so you can clean the reverse side (there are restrictors fitted to ensure the sash only tilts to a certain angle and is held there safely). To tilt the top sash, please pull it downwards and again you will see smaller knobs on the top of the sash that can be moved inwards to release the catches.

To close – please ensure you close the top sash first by pushing the window back into an upright position and securing it in place, by sliding the knobs to the original position - then, repeat this for the bottom sash.



Please ensure that when you leave your house you close the window and lock with the key.